

USR-SDR050-L

User Guide



Content

USR-SDR050-L User Guide.....	1
1. Product Description.....	3
1.1. Product description.....	3
1.2. Indicator light.....	3
1.3. Power supply.....	3
1.4. Parameters.....	4
2. Product Size.....	5
3. Installation Description.....	6
4. Contact us.....	7
5. Disclaimer.....	7

1. Product Description

1.1. Product description

USR-SDR050-L is 5-LAN Ports 10/100M unmanaged industrial ethernet switch. It adopts DIN-Rail mounting which can meet the requirements of different application scenes.

The input power supply is two independent power supply circuits which can ensure the normal operation of the device when one power supply fails. Hardware adopts wide temperature and voltage design and has passed rigorous industrial standard tests, which can suit for the industrial scene environment such as smart grid, railway transportation, smart city, new energy, intelligent manufacturing, military project and other industrial fields.

1.2. Indicator light

LED Indicators	Function	Status	Definition
PWR	Light of power supply	Off	No power supply
		On	Normal power supply
The light status of each ethernet port	Light of Port connection	The green and yellow light are off	Disconnected
		The green and yellow light flash	Connected

1.3. Power supply

The power supply of Industrial Ethernet switch is double backup. It support two power supply but only one power supply works when two power supply are connected simultaneously. When one power supply fails, it will automatically switch to switch to the another one to achieve power protection.

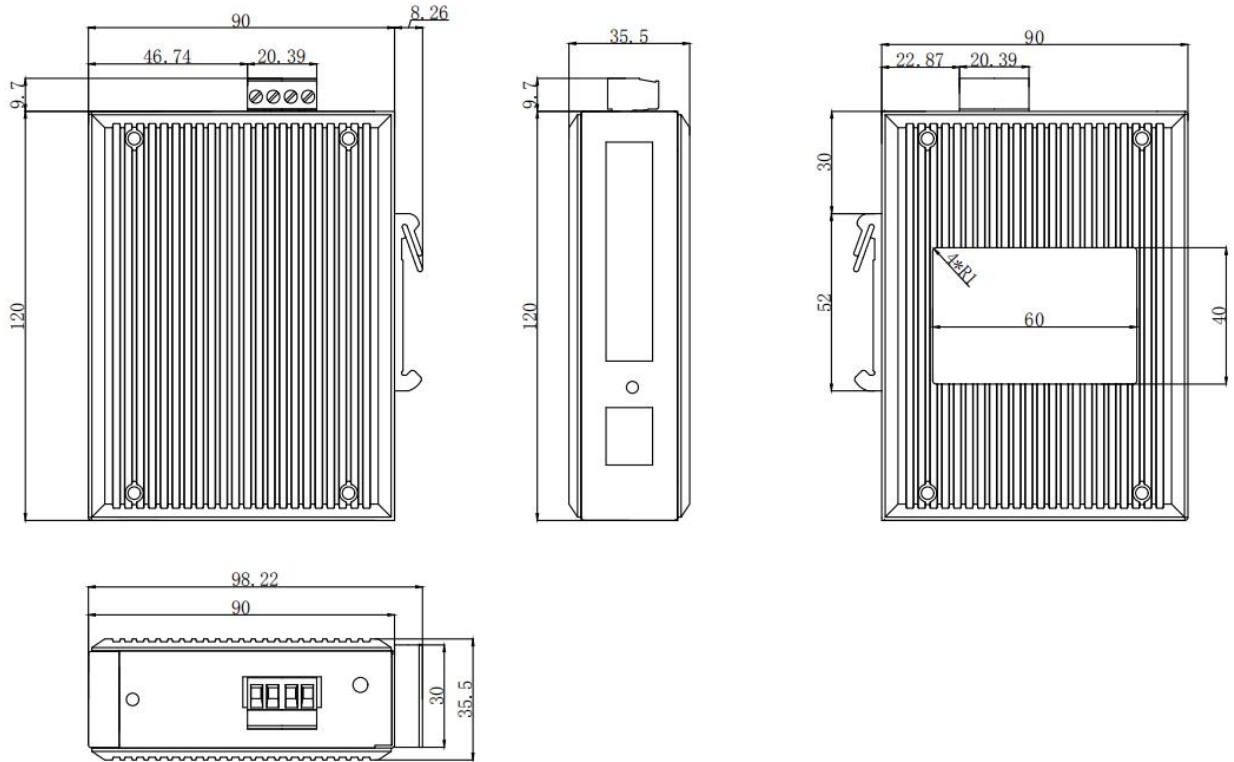
Sign Design on Case	Definition
P1+	Positive pole of the first power supply
P1-	Negative pole of the first power supply
P2+	Positive pole of the second power supply
P2-	Negative pole of the second power supply

Notes: Please connect the positive and negative poles of the power supply according to the label. The voltage range is DC 9~36V. It can work normally when only one power supply is connected

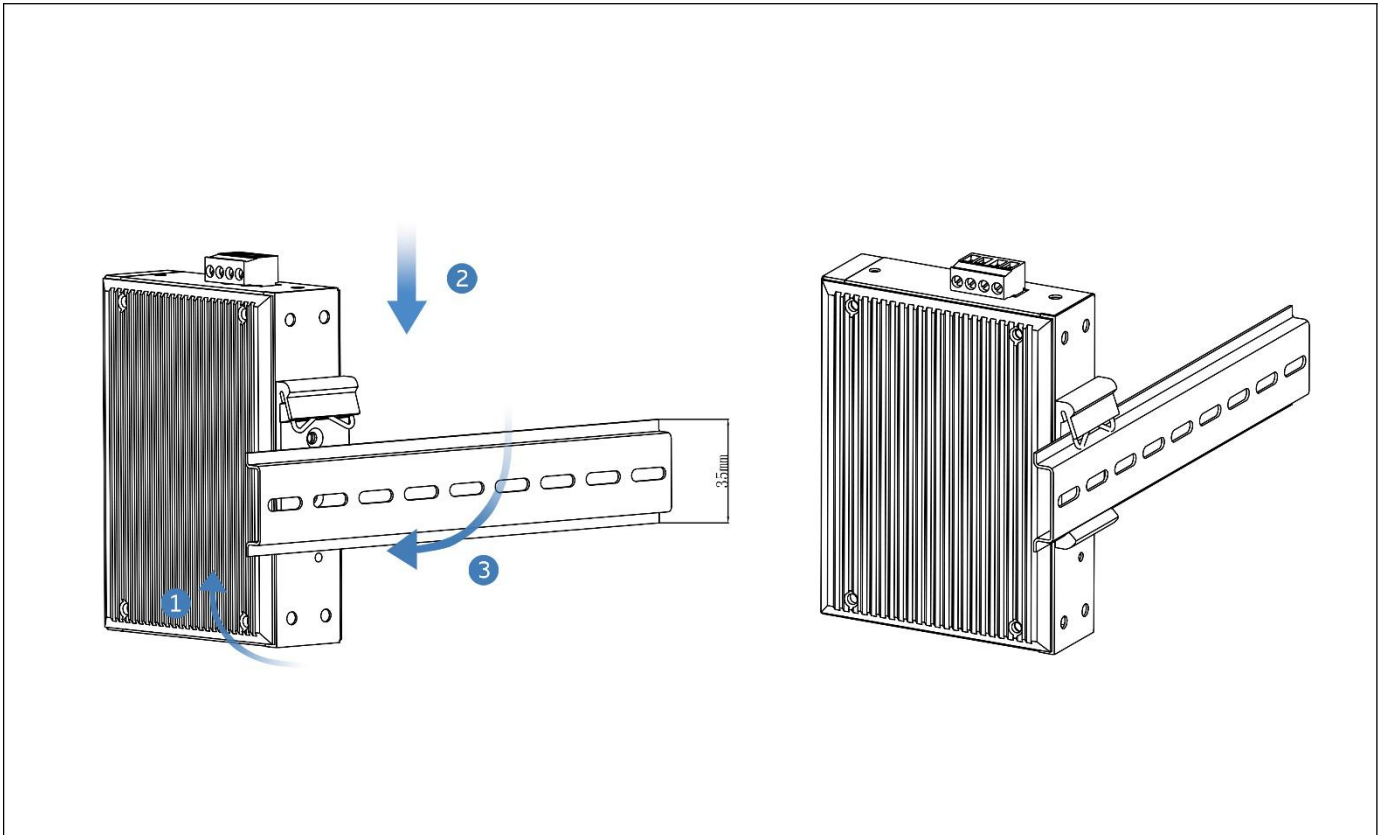
1.4. Parameters

USR-SDR050-L	
Provider Mode Ports	
Fixed port	5*10/100 Base - T
Management Port	Not support
Power interface	Terminal type, double power supply
LED Indicators	PWR、 Link
Cable type&Transmission distance	
Twisted-pair	0-100m (CAT5e,CAT6)
Network Topology	
Ring topology	Not support
Star topology	Support
Bus topology	Support
Tree Topology	Support
Electrical Specifications	
Input voltage	DC:9-36V
Layer 2 Switching	
MAC address table	1K
VLAN	Support VLAN,qty as 16
Forwarding packet length	1552/1536 bytes
MDX/MIDX	Support
Flow control	Support
Environment	
Operating temperature	-40°C~+85°C
Storage temperature	-40°C~+85°C
Relative humidity	5%~95% non-condensing
Thermal methods	No air fan design, natural heat dissipation
Mechanical Dimensions	
Product size	120X90X35.5mm
Installation Method	Rail mounting
Weight	0.52KG
EMC&INGRESS PROTECTION	
IP Level	IP40
Surge protection of Power	IEC 61000-4-5 Level 3 (4KV/2KV)
Surge protection of Ethernet port	IEC 61000-4-5 Level 3 (4KV/2KV)
EMI	CLASS A
ESD	IEC 61000-4-2 Level 4 (8K/15K)
Accessories	
Accessories	Device, terminal (No power supply)

2. Product Size



3. Installation Description



4. Contact us

Company: Jinan USR IOT Technology Co., Ltd

Address: Floor 11, Building 1, No. 1166 Xinluo Street, Gaoxin District, Jinan, Shandong, 250101 China

Tel: 86-531-88826739

Web: <http://www.usriot.com/>

Support: <http://h.usriot.com/index.php?c=frontTicket&m=sign>

Email: sales@usriot.com

5. Disclaimer

The document provides information about USR-SDR050-L, it doesn't grant any license to the intellectual property rights. Except the responsibility declared in the product sale clause, USR does not assure any other responsibilities. In addition, USR does not make any warranties for the sale and use of this product, including the suitability of products for a particular purpose, merchant ability or fitness for any patent, copyright or other intellectual property infringement. USR may make changes to specifications and products description without notice.