

# INJ-24 Series

## Gigabit IEEE 802.3af/at PoE+ injectors



- > PoE+ injector for 10/100/1000M networks; inject power and data to PD (Power Device) equipment
- > IEEE 802.3af/at compliant; supports a full 30 watt output
- > 24/48 VDC wide range power input
- > -40 to 75°C operating temperature range (T model)



### Specifications

#### Technology

##### Standards:

IEEE 802.3af/at for Power-over-Ethernet  
 IEEE 802.3 for 10BaseT  
 IEEE 802.3u for 100BaseT(X)  
 IEEE 802.3ab for 1000BaseT(X)

##### Interface

**RJ45 Ports:** 10/100/1000BaseT(X) for PoE OUT and DATA IN  
**PoE Pinout:** V+, V+, V-, V- for pin 4, 5, 7, 8 (Midspan, MDI Alternative B)  
**LED Indicators:** Power, PoE

##### Power Requirements

**Input Voltage:** 24/48 (20 to 60 V) VDC, single input  
**Input Current:** Max. 1.3 A @ 24 VDC  
**Overload Current Protection:** Present  
**Connection:** 1 removable 3-contact terminal block  
**Reverse Polarity Protection:** Present

##### Physical Characteristics

**Housing:** Plastic, IP30 protection  
**Dimensions:** 24.9 × 100 × 86.2 mm (0.98 × 3.93 × 3.39 in)  
**Weight:** 115 g  
**Installation:** DIN-rail mounting

##### Environmental Limits

**Operating Temperature:**

##### Dimensions

Standard Models: 0 to 60°C (32 to 140°F)  
 Wide Temp. Models: -40 to 75°C (-40 to 167°F)  
**Storage Temperature:** -40 to 85°C (-40 to 185°F)  
**Ambient Relative Humidity:** 5 to 95% (non-condensing)

##### Standards and Certifications

**Safety:** UL 508  
**EMI:** FCC Part 15 Subpart B Class A, EN 55022 Class A  
**EMS:** EN 61000-4-2 (ESD) Level 3, EN 61000-4-3 (RS) Level 3, EN 61000-4-4 (EFT) Level 3, EN 61000-4-5 (Surge) Level 3, EN 61000-4-6 (CS) Level 3

**Shock:** IEC 60068-2-27

**Freefall:** IEC 60068-2-32

**Vibration:** IEC 60068-2-6

*Note: Please check Moxa's website for the most up-to-date certification status.*

##### MTBF (mean time between failures)

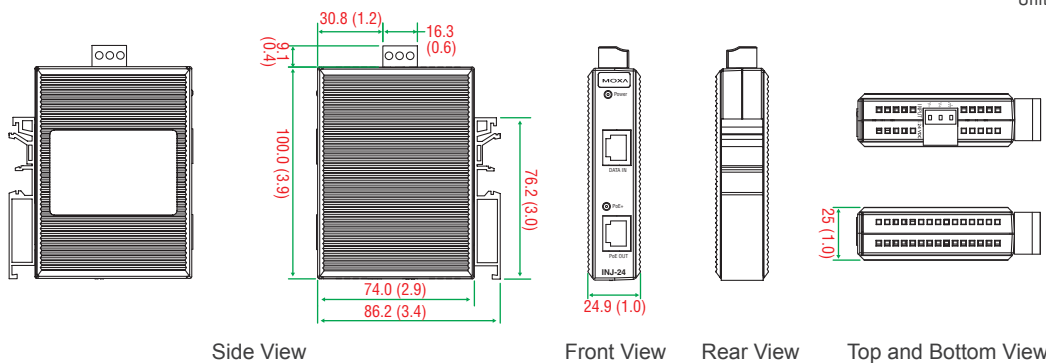
**Time:** 2,525,278 hrs

**Database:** Telcordia (Bellcore), GB

##### Warranty

**Warranty Period:** 5 years

**Details:** See [www.moxa.com/warranty](http://www.moxa.com/warranty)



### Ordering Information

#### Available Models

**INJ-24:** PoE+ Injector, maximum output of 30 W at 24/48 VDC, 0 to 60°C operating temperature  
**INJ-24-T:** PoE+ Injector, maximum output of 30 W at 24/48 VDC, -40 to 75°C operating temperature

#### Package Checklist

- INJ-24 PoE+ injector
- Hardware installation guide (printed)
- Warranty card