

# AMR5 SERIES

AC - DC DIN RAIL MOUNTABLE POWER SUPPLY  
INDUSTRIAL CONTROL EQUIPMENT



## FEATURES

- UNIVERSAL INPUT 90~264VAC
- SHORT CIRCUIT PROTECTION
- INTERNAL INPUT FILTER
- LOW PROFILE FOR BUILDING AUTOMATION
- 3 YEARS WARRANTY



## MODEL LIST

MODEL NO.	INPUT VOLTAGE	OUTPUT WATTAGE	OUTPUT VOLTAGE	OUTPUT CURRENT	EFF. (min.)	EFF. (typ.)
<b>Single Output Models</b>						
AMR5-05	90~264 VAC	60 WATTS	+ 5 VDC	12000 mA	78%	80%
AMR5-12	90~264 VAC	72 WATTS	+ 12 VDC	6000 mA	83%	86%
AMR5-15	90~264 VAC	75 WATTS	+ 15 VDC	5000 mA	83%	86%
AMR5-24	90~264 VAC	100 WATTS	+ 24 VDC	4200 mA	86%	89%
AMR5-24LS	90~264 VAC	91 WATTS	+ 24 VDC	3800 mA	86%	89%

## SPECIFICATION

All Specifications Typical At Nominal Line, Full Load, 25°C Unless Otherwise Noticed

GENERAL						
Characteristics	Conditions	min.	typ.	max.	unit	
Switching frequency	Vi nom, Io nom	35		45	KHz	
Isolation voltage	Input-Output	3,000/4,242			VAC / VDC	
Isolation resistance	Input-Output, @ 500VDC	100			MΩ	
Ambient temperature	Operating at Vi nom	-40		+ 71	°C	
Derating (see derating curve)	Vi nom, from +61°C to +71°C			2.5	% / °C	
Storage temperature	Non operational	-40		+ 85	°C	
Relative humidity	Vi nom, Io nom	20		95	% RH	
Temperature coefficient	Vi nom, Io min			± 0.03	% / °C	
MTBF	Bellcore Issue 6 @40°C, GB	5V		610,000	Hours	
		12V		578,000	Hours	
		15V		581,000	Hours	
		24V		554,000	Hours	
		24LS		583,000	Hours	
Altitude during operation	IEC 60068-2-13			4,850	m	
Dimension			L91 x W90 x D57		mm	
Cooling	Free air convection					
Installation position	Vertical ( other direction may derating using )					
Pollution degree				2		
INPUT SPECIFICATIONS						
Characteristics	Conditions	min.	typ.	max.	unit	
Rated input voltage	Io nom	100		240	VAC	
Absolute input max. range	Ta min ... Ta max, Io nom	AC in	90	264	VAC	
		DC in	120	375	VDC	

## SPECIFICATION

All Specifications Typical At Nominal Line, Full Load, 25°C Unless Otherwise Noticed

### INPUT SPECIFICATIONS

Characteristics	Conditions	min.	typ.	max.	unit
Input current	Vi : 115 / 230 VAC, Io nom	5V	1.15 / 0.62		A
		12V, 15V	1.35 / 0.72		A
		24V	1.8 / 0.9		A
Rated input current	Vi : 90 VAC, Io nom	5V		1.5	A
		12V, 15V		1.7	A
		24V		2.2	A
Line frequency	Vi nom, Io nom	47		63	Hz
Inrush current	Vi : 115 / 230 VAC, Io nom			30 / 60	A
Power dissipation	Vi : 230 VAC, Io nom	5V	15.6		W
		12V	12.9		W
		15V	12.5		W
		24V	12.2		W
		24LS	11.9		W
Leakage current	Input-Output			0.25	mA

### OUTPUT SPECIFICATIONS

Characteristics	Conditions	min.	typ.	max.	unit
Output voltage accuracy (Adjusted before shipment)	Vi nom, Io max	0		+ 1	%
Minimum load	Vi nom	0			%
Line regulation	Io nom, Vi min ...Vi max			± 1	%
Load regulation	Vi nom, Io min ...Io nom			± 1	%
Voltage trim range	Vi nom, 0.8 Io nom	5V	5	5.5	VDC
		12V	12	14	VDC
		15V	13.5	16.5	VDC
		24V	24	28	VDC
		24LS	20	24.2	VDC
Rated continuous loading	Vi nom,	5V	12A @ 5VDC / 10.5A @ 5.5VDC		
		12V	6A @ 12VDC / 5.1A @ 14VDC		
		15V	5A @ 15VDC / 4.5A @ 16.5VDC		
		24V	4.2A @ 24VDC / 3.6A @ 28VDC		
		24LS	3.8A @ 24VDC / 3.7A @ 24.2VDC		
Hold up time	Vi = 115 / 230 VAC, Io nom	5V, 12V	16/60		ms
		15V, 24V	10/60		ms
Turn on time	Vi nom, Io nom			1,000	ms
	Vi nom, Io nom → with 3500 μF CAP			1,500	ms
Rise time	Vi nom, Io nom			150	ms
	Vi nom, Io nom → with 3500 μF CAP			500	ms
Fall time	Vi nom, Io nom			150	ms
Transient recovery time	Vi nom, I ~ 0.5 Io nom			2	ms
Ripple & noise	Vi nom, Io nom, BW = 20MHz			50	mV
Power back immunity	Vi nom, Io nom	5V	7.5		VDC
		12V	18		VDC
		15V	22		VDC
		24V	35		VDC
Capacitor load	Vi nom, Io nom			3,500	μF
DC ON indicator threshold at start up (Green LED)	Vi nom, Io nom	5V	3.5	4.5	VDC
		12V	9	10.8	VDC
		15V	11	13.5	VDC
		24V	19.2	21.6	VDC
DC LOW indicator threshold after start up (Red LED)	Vi nom, Io nom	5V	3.5	4.5	VDC
		12V	9	10.8	VDC
		15V	11	13.5	VDC
		24V	19.2	21.6	VDC
Efficiency	Vi nom, Io nom, Po / Pi			Up to 89%, See model list and typ efficiency curve	

## SPECIFICATION

All Specifications Typical At Nominal Line, Full Load, 25°C Unless Otherwise Noticed

### CONTROL AND PROTECTION

Characteristics	Conditions	min.	typ.	max.	unit
Input fuse		T3.15A / 250VAC internal			
Internal surge voltage protection	IEC 61000-4-5	Varistor			
Rated over load protection	Vi nom	5, 12, 15 & 24V	110	150	%
		24LS	102	108	%
Over voltage protection	Vi nom, Io nom (Auto Recovery)	5V	5.75	6.5	VDC
		12V	15	16.5	VDC
		15V	18	20	VDC
		24V	30	33	VDC
		24LS	24.5	25.5	VDC
Output short circuit		Fold forward			
Degree of protection		IP20			

### APPROVALS AND STANDARDS

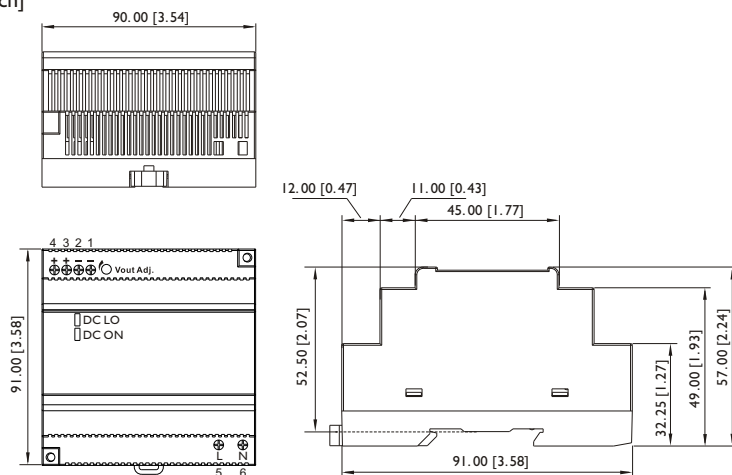
UL / cUL	UL 508 Listed UL 60950-1, UL 1310 Class 2 Power (24LS model only) Recognized ISA 12.12.01(Class I, Division 2, Groups A, B, C and D)
TUV	EN 60950-1
CE	EN 61000-6-3, EN 55032 Class B, EN 61000-3-2, EN 61000-3-3 EN 61000-6-2, EN 55024, EN 61000-4-2 Level 4, EN 61000-4-3 Level 3 EN 61000-4-4 Level 4, EN 61000-4-5 L-N Level 3 EN 61000-4-6 Level 3, EN 61000-4-8 Level 4, EN 61000-4-11 ENV 50204 Level 2, EN 61204-3
Vibration resistance	meet IEC 60068-2-6 (Mounting on rail : 10-500 Hz, 2G, along X, Y, Z each Axis, 60 min for each Axis )
Shock resistance	meet IEC 60068-2-27 (15G, 11ms, 3 Axis, 6 Faces, 3 times for each Face)

### PHYSICAL CHARACTERISTICS

Case size	91 x 90 x 57 mm (3.58 x 3.54 x 2.24 inches)
Case material	Plastic
Weight	380g
Packing	0.44kg ; 40 pcs / 19kg / 2.28CUFT

### MECHANISM & PIN CONFIGURATION

mm [inch]



#### CONSTRUCTION

Easy snap-on mounting onto the DIN-Rail (TS35/7.5 or TS35/15), unit sits safely and firmly on the rail; no tools required even to remove

#### INSTALLATION

Ventilation / Cooling

Normal convection

All sides 25m/m free space

For cooling recommended

Connector size range

AWG24-12 (0.2~2.5mm<sup>2</sup>) flexible / solid cable

-Connector can withstand torque at maximum 6 pound-inches.

7m/m stripping at cable end recommends.

Use copper conductors only, 60/75 °C

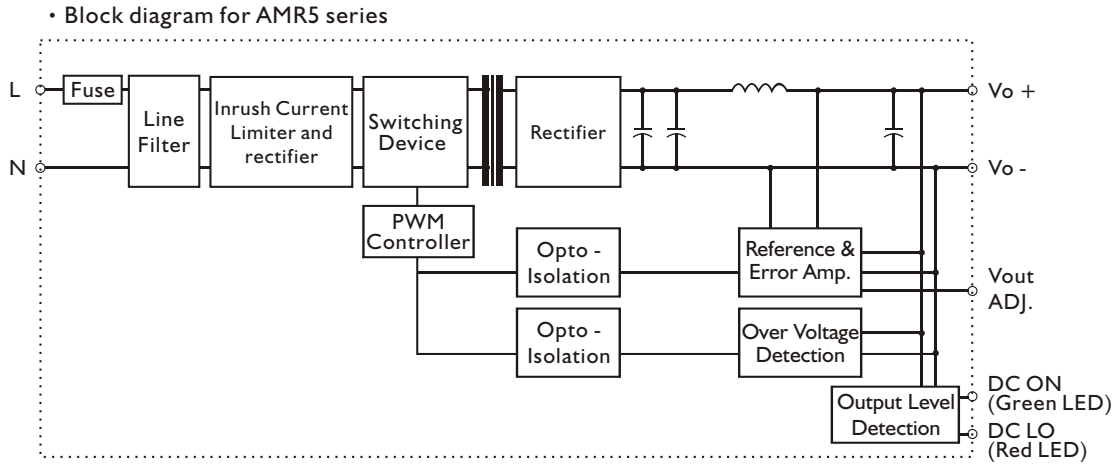
#### GENERAL TOLERANCE

0.00[0.00] - 30.00[1.18]	±0.30[0.01]
30.00[1.18] - 120.00[4.72]	±0.50[0.02]

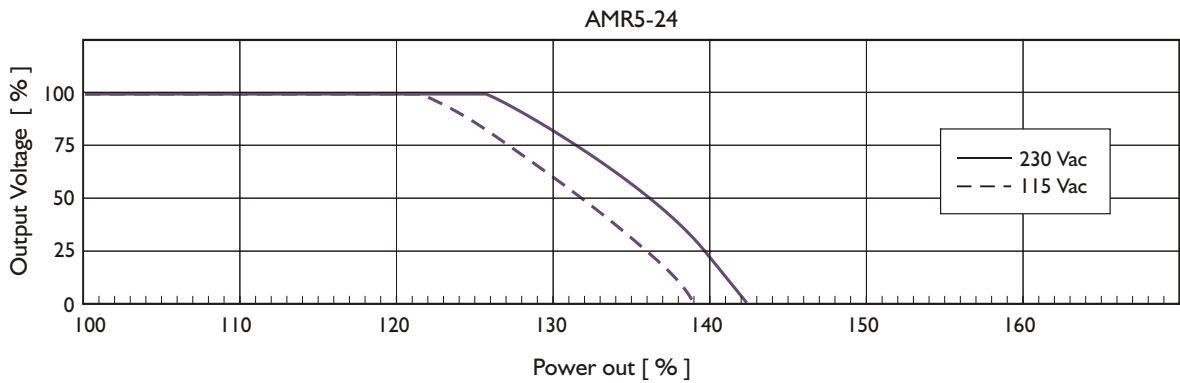
### PIN ASSIGNMENT

PIN NO.	Designation	Description
1, 2	OUT	- Negative output terminal
3, 4		+ Positive output terminal
5	IN	L Input terminals (phase conductor, no polarity at DC input)
6		N Input terminals (neutral conductor, no polarity at DC input)
	OTHER	Vout ADJ. Trimmer-potentiometer for Vout adjustment
		DC ON Operation indicator LED
		DC LO DC Low indicator LED

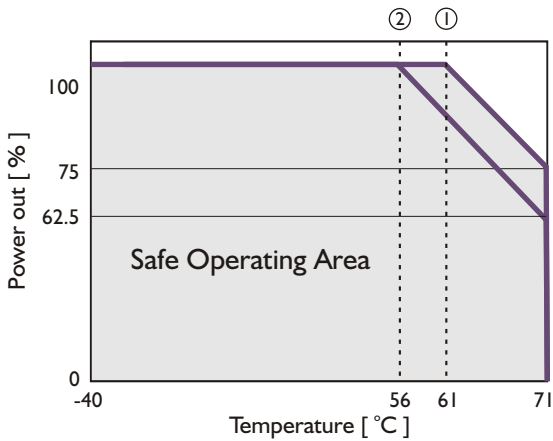
## CIRCUIT SCHEMATIC



## TYP. CURRENT LIMITED CURVE



## DERATING CURVE



① For AMR5-12/15/24/24LS ② For AMR5-05

## TYP. EFFICIENCY CURVE

